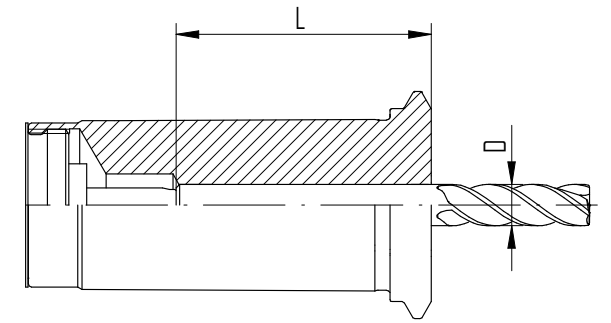


# Presetting range of powRgrip® collets

D	D	PG 6/-CF		PG 6-S		PG 10/-CF		PG 10-S		PG 15/-CF/TW		PG 15-S		PG 15-L**		PG 25/-CF		PG 25-S		PG 25-L**		PG 32/-CF		PG 32-S		PG 32-L**			
		L [mm]		L [mm]		L [mm]		L [mm]		L [mm]		L [mm]		L [mm]		L [mm]		L [mm]		L [mm]		L [mm]		L [mm]		L [mm]		L [mm]	
		min.	max.	min.	max.	min.	max.	min.	max.	min.	max.	min.	max.	min.	max.	min.	max.	min.	max.	min.	max.	min.	max.	min.	max.	min.	max.	min.	max.
0.2-1.0	-	21.5	26.5*	-	-	20	24*	-	-	-	-	-	-	-	-	-	-	-	-	-	-	-	-	-	-	-	-	-	
1.5	-	23.5	26.5*	-	-	16	20*	-	-	-	-	-	-	-	-	-	-	-	-	-	-	-	-	-	-	-	-	-	
-	1/16"	23.5	26.5*	-	-	16	20*	-	-	-	-	-	-	-	-	-	-	-	-	-	-	-	-	-	-	-	-	-	
2.0	-	24	26.5	-	-	25	30	-	-	-	-	-	-	-	-	-	-	-	-	-	-	-	-	-	-	-	-	-	
2.5	-	24	26.5*	-	-	25	30	-	-	-	-	-	-	-	-	-	-	-	-	-	-	-	-	-	-	-	-	-	
3.0	-	24	26.5	17	20	25	30	20.5	26	25	30	-	-	-	-	25	32,5	-	-	-	-	-	-	-	-	-	-	-	
-	1/8"	24	26.5	17	20	25	30	20.5	26	25	30	18	25	-	-	25	32,5	18	25	-	-	-	-	-	-	-	-	-	
3.5	-	-	-	-	-	25	30	-	-	25	30	-	-	-	-	25	32,5	-	-	-	-	-	-	-	-	-	-	-	
4.0	-	23.5	26.5*	-	-	25	30	20.5	26	25	30	18	25	25	53	25	32,5	18	25	-	-	-	-	-	-	-	-	-	
4.5	-	-	-	-	-	25	30	-	-	25	30	-	-	-	-	25	32,5	-	-	-	-	-	-	-	-	-	-	-	
-	3/16"	-	-	-	-	25	30	20.5	26	25	30	18	25	-	-	25	32,5	18	25	-	-	-	-	-	-	-	-	-	
5.0	-	-	-	-	-	25	30	-	-	25	30	18	25	25	53	25	32,5	-	-	-	-	-	-	-	-	-	-	-	
5.5	-	-	-	-	-	25	30	-	-	25	30	-	-	-	-	25	32,5	-	-	-	-	-	-	-	-	-	-	-	
6.0	-	-	-	-	-	30	35	23.5	29	33	38	26	33	33	53	33	40.5	26	33	33	65	33.5	40.9	-	-	-	-	-	
-	1/4"	-	-	-	-	30	35	23.5	29	33	38	26	33	33	53	33	40.5	26	33	33	65	33.5	40.9	-	-	-	-	-	
7.0	-	-	-	-	-	-	-	-	-	33	38	-	-	-	-	33	40.5	-	-	-	-	33.5	40.9	-	-	-	-	-	
-	5/16"	-	-	-	-	-	-	-	-	33	38	26	33	33	53	33	40.5	26	33	33	65	33.5	40.9	-	-	-	-	-	
8.0	-	-	-	-	-	-	-	-	-	33	38	26	33	33	53	33	40.5	26	33	33	65	33.5	40.9	-	-	-	-	-	
9.0	-	-	-	-	-	-	-	-	-	33	38	-	-	-	-	33	40.5	-	-	-	-	33.5	40.9	-	-	-	-	-	
-	3/8"	-	-	-	-	-	-	-	-	37	40.5	31	38	37	53	37	44.5	30	38	37	65	35.5	44.9	-	-	-	-	-	
10.0	-	-	-	-	-	-	-	-	-	37	40.5	31	38	37	53	37	44.5	30	38	37	65	35.5	44.9	-	-	-	-	-	
11.0	-	-	-	-	-	-	-	-	-	-	-	-	-	-	-	37	44.5	-	-	-	-	35.5	44.9	-	-	-	-	-	
-	7/16"	-	-	-	-	-	-	-	-	-	-	-	-	-	-	37	44.5	-	-	-	-	35.5	44.9	-	-	-	-	-	
12.0	-	-	-	-	-	-	-	-	-	41.5*	45*	-	-	-	-	42	49.5	35	43	42	65	40.5	49.9	32	40.5	40.5	69		
-	1/2"	-	-	-	-	-	-	-	-	41.5*	45*	-	-	-	-	42	49.5	35	43	42	65	40.5	49.9	32	40.5	40.5	69		
13.0	-	-	-	-	-	-	-	-	-	-	-	-	-	-	-	42	49.5	-	-	-	-	40.5	49.9	-	-	-	-	-	
14.0	-	-	-	-	-	-	-	-	-	-	-	-	-	-	-	42	49.5	35	43	42	65	40.5	49.9	35	43	40.5	69		
-	9/16"	-	-	-	-	-	-	-	-	-	-	-	-	-	-	42	49.5	-	-	-	-	40.5	49.9	-	-	-	-	-	
15.0	-	-	-	-	-	-	-	-	-	-	-	-	-	-	-	42	49.5	-	-	-	-	40.5	49.9	-	-	-	-	-	
-	5/8"	-	-	-	-	-	-	-	-	-	-	-	-	-	-	45.5	50	38	46	45.5	65	43.5	52.9	38	46	-	-	-	
16.0	-	-	-	-	-	-	-	-	-	-	-	-	-	-	-	45.5	50	38	46	45.5	65	43.5	52.9	35	43.5	43.5	69		
18.0	-	-	-	-	-	-	-	-	-	-	-	-	-	-	-	45.5	50	-	-	-	-	43.5	52.9	-	-	-	-	-	
-	3/4"	-	-	-	-	-	-	-	-	-	-	-	-	-	-	47.5	50	40	47.5	47.5	65	45.5	54.9	37	45.5	45.5	69		
20.0	-	-	-	-	-	-	-	-	-	-	-	-	-	-	-	47.5	50	40	47.5	47.5	65	45.5	54.9	37	45.5	45.5	69		
22.0	-	-	-	-	-	-	-	-	-	-	-	-	-	-	-	-	-	-	-	-	-	45.5	54.9	-	-	-	-	-	
-	7/8"	-	-	-	-	-	-	-	-	-	-	-	-	-	-	-	-	-	-	-	-	45.5	54.9	-	-	-	-	-	
25.0	-	-	-	-	-	-	-	-	-	-	-	-	-	-	-	-	-	-	-	-	-	49.5	58	41	49.5	49.5	69		
-	1"	-	-	-	-	-	-	-	-	-	-	-	-	-	-	-	-	-	-	-	-	49.5	58	41	49.5	49.5	69		

\*CF not available \*\*PG-L without stop screw



PG / PG-CF / PG-CB / PG-S / PG-L

## powRgrip Collet Index

- PG Standard** – PG Series / -CF
- PG Coolant-Flush** – PG Series / -CF
- PG CoolBore (CB)** – PG Series / -CF
- PG ThinWall (TW)** – PG Series / -CF / TW
- PG Coolbore-S (CB-S)** – PG Series -S
- PG Short** – PG Series -S
- PG Long** – PG Series -L

## Pull-Stud Torque Values

Steep taper	maximum tightening torque
SK, BT, CAT 30	25 Nm / 18 ft-lbs
SK, BT, CAT 40	50 Nm / 37 ft-lbs
SK, BT, CAT 50	100 Nm / 74 ft-lbs

Higher tightening torques can lead to deformation of the steep taper!

## REGO-FIX USA

4420 Anson Blvd / Whitestown / IN 46075 / USA  
 Toll Free 800-999-7346 / Phone 317-870-5959  
 info.usa@rego-fix.com / www.RegoUSA.com



# Tolerance charts

## Outside dimensions (Shafts)

Tolerances on dimensions in  $\mu\text{m}$

Nominal size range in mm	g4	g5	g6	g7	h4	h5	h6	h7	h8	h9	h10	h11	h13
from	1	-2	-2	-2	0	0	0	0	0	0	0	0	0
to	3	-5	-6	-8	-3	-4	-6	-10	-14	-25	-40	-60	-140
over	3	-4	-4	-4	0	0	0	0	0	0	0	0	0
to	6	-8	-9	-12	-4	-5	-8	-12	-18	-30	-48	-75	-180
over	6	-5	-5	-5	0	0	0	0	0	0	0	0	0
to	10	-9	-11	-14	-4	-6	-9	-15	-22	-36	-58	-90	-220
over	10	-6	-6	-6	0	0	0	0	0	0	0	0	0
to	18	-11	-14	-17	-5	-8	-11	-18	-27	-43	-70	-110	-270
over	18	-7	-7	-7	0	0	0	0	0	0	0	0	0
to	30	-13	-16	-20	-6	-9	-13	-21	-33	-52	-84	-130	-330
over	30	-9	-9	-9	0	0	0	0	0	0	0	0	0
to	50	-16	-25	-20	-7	-11	-16	-25	-39	-62	-100	-160	-390

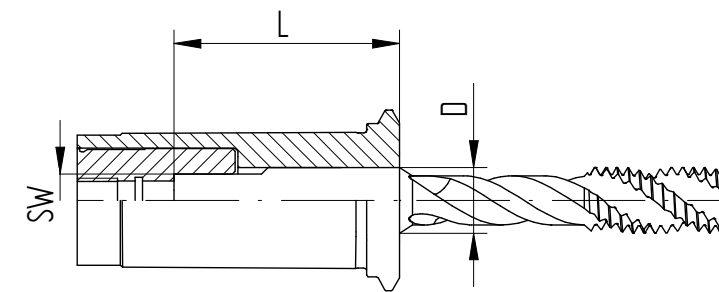
## Inside dimensions (Bores)

Tolerances on dimensions in  $\mu\text{m}$

Nominal size range in mm	G4	G5	G6	G7	H4	H5	H6	H7	H8	H9	H10	H11	H13
from	1	+5	+6	+8	+3	+4	+6	+10	+14	+25	+40	+60	+140
to	3	+2	+2	+2	0	0	0	0	0	0	0	0	0
over	3	+8	+9	+12	+4	+5	+8	+12	+18	+30	+48	+75	+180
to	6	+4	+4	+4	0	0	0	0	0	0	0	0	0
over	6	+9	+11	+14	+4	+6	+9	+15	+22	+36	+58	+90	+220
to	10	+5	+5	+5	0	0	0	0	0	0	0	0	0
over	10	+11	+14	+17	+5	+8	+11	+18	+27	+43	+70	+110	+270
to	18	+6	+6	+6	0	0	0	0	0	0	0	0	0
over	18	+13	+16	+20	+6	+9	+13	+21	+33	+52	+84	+130	+330
to	30	+7	+7	+7	0	0	0	0	0	0	0	0	0
over	30	+16	+25	+20	+7	+11	+16	+25	+39	+62	+100	+160	+390
to	50	+9	+9	+9	0	0	0	0	0	0	0	0	0

# Presetting range of PG-TAP collets with internal square

Dimensions [mm/inch]	□	PG 15-TAP [mm]		PG 25-TAP [mm]	
		L min.	L max.	L min.	L max.
3.5	2.7	27	29	-	-
0.141"	0.110"	27	29	-	-
0.168"	0.131"	27	29	-	-
4.5	3.4	27	29	-	-
0.194"	0.152"	29	31	-	-
0.220"	0.165"	29	31	-	-
6	4.9	29	31	29	31
0.255"	0.191"	29	31	-	-
7	5.5	29	31	29	31
8	6.2	33.5	36	33.5	36
0.318"	0.238"	-	-	33.5	36
9	7	34.5	37	34.5	37
0.367"	0.275"	-	-	34.5	37
0.381"	0.286"	-	-	34.5	37
10	8	35.5	38	38.5	41
11	9	-	-	39.5	42
12	9	-	-	39.5	42
14	11	-	-	41.5	44
16	12	-	-	42.5	45



PG-TAP